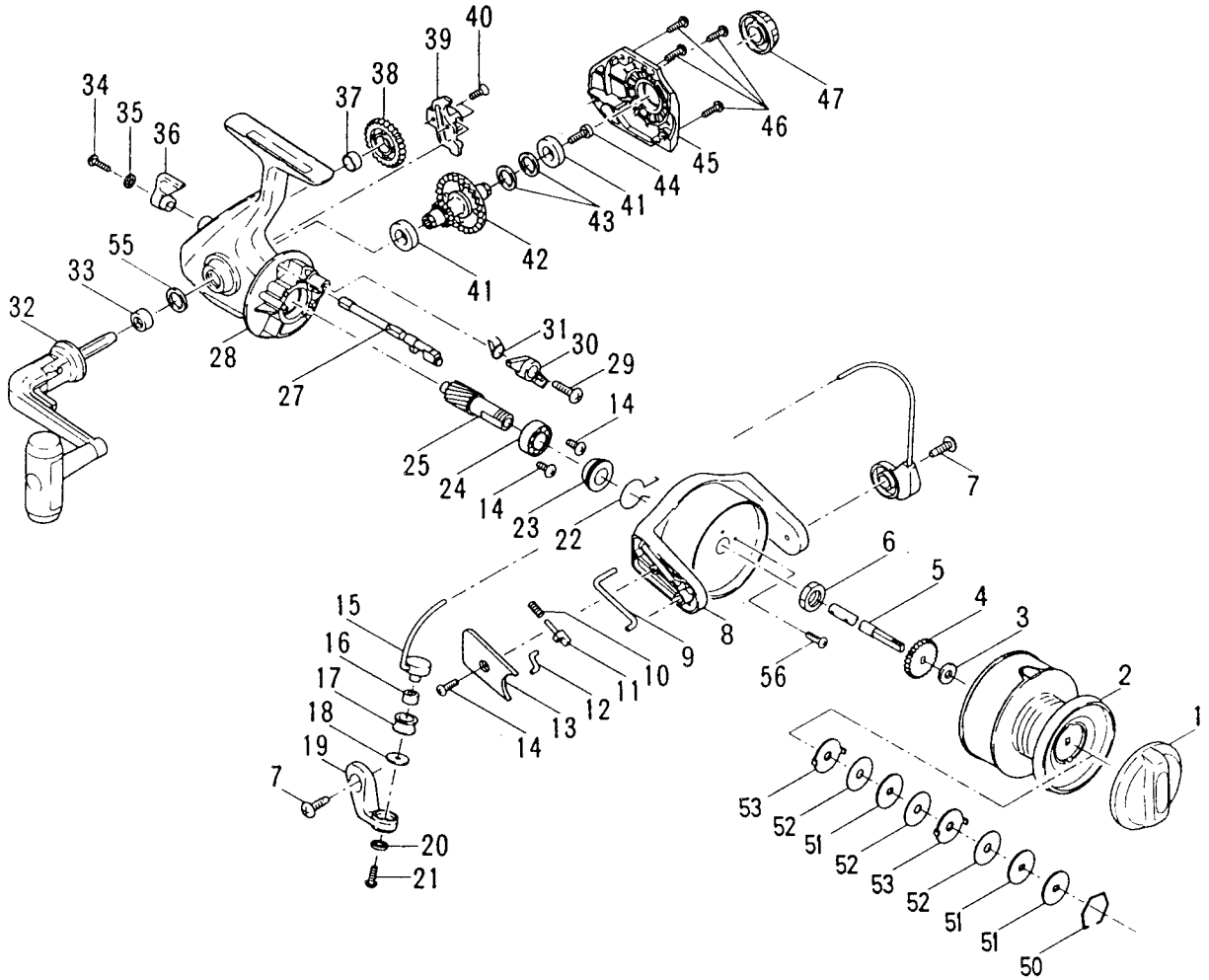




PARTS AND PRICE LIST FOR MODEL 4000



Key No.	Part No.	Description	Price
1	052 3000	Drag Knob Asm. w/Spring	\$5.75
2	047 4000	Spool Assembly	18.00
3	060 3000	Thrust Washer	.50
4	040B3000	Click Ratchet	.80
5	039 4000	Spool Shaft	4.75
6	038 3000	Rotor Nut	.50
7	031A3000	Arm Screws (2 req.)	.50
8	027 4000	Rotor Cup	12.00
9	028A3000	Cam Lever	1.25
10	034C3000	Pivot Spring	.50
11	034B1000	Pivot Shaft	.50
12	034A3000	Pivot Arm	.50
13	027A4000	Bail Pivot Cover	2.30
14	022 875	Screws (3 req.)	.50
15	024 4000	Bail Wire Assembly	8.00
16	035A3000	Line Roller Bushing	.90
17	035 3000	Line Roller	2.35
18	132 3000	Roller Washer	.80
19	034 3000	Bail Arm	2.50
20	022A875	Washer	.50
21	036 1000	Bail Stud Screw	.50
22	230 3000	Silent Dog Spring	.50
23	019A3000	Pinion Spacer	1.00
24	020 722	Ball Bearing	12.00
25	019 3000	Pinion Gear	4.50
27	006A3000	Eccentric Shaft	2.40
28	001 4000	Housing	13.50

Key No.	Part No.	Description	Price
29	003 3000	Dog Mounting Screw	\$.50
30	004 3000	Anti-Reverse Dog	.90
31	004A3000	Dog Spring	.95
32	015 3000	Handle Assembly	15.00
33	015A3000	Handle Spacer	.50
34	006F3000	Eccentric Lever Mtg. Screw	.45
35	006G3000	Thrust Washer	.45
36	006E3000	Eccentric Lever	.55
37	231A3000	Crosswind Gear Bushing	.50
38	231 3000	Crosswind Gear	1.25
39	043 6000	Crosswind Gear Block	1.25
40	044 1500	Screws (2 req.)	.45
41	002A3000	Cover & Housing Bushing	1.05
42	008 3000	Main Gear	4.75
43	008A3000	Main Gear Shim	.40
44	009A3000	Standard Driver Screw	.90
45	045 4000	Housing Cover	6.00
46	046 1000	Cover Screws (4 req.)	.45
47	233 3000	Bearing Cover	2.25
**	048 4000	Spool Click Tongue	.50
**	022 1000	Click Tongue Screw	.50
50	051 3000	Drag Retaining Ring	.50
51	057 3000	Keyed Drag Washers (3 req.)	.65
52	006 3000	Teflon Drag Washers (3 req.)	.65
53	058 3000	Ear Drag Washer	.65
**	040C4000	Click Washer	.45
55	017 4000	Handle Washer	.50
56	305 875	Rotor Nut Locking Screw	.40